

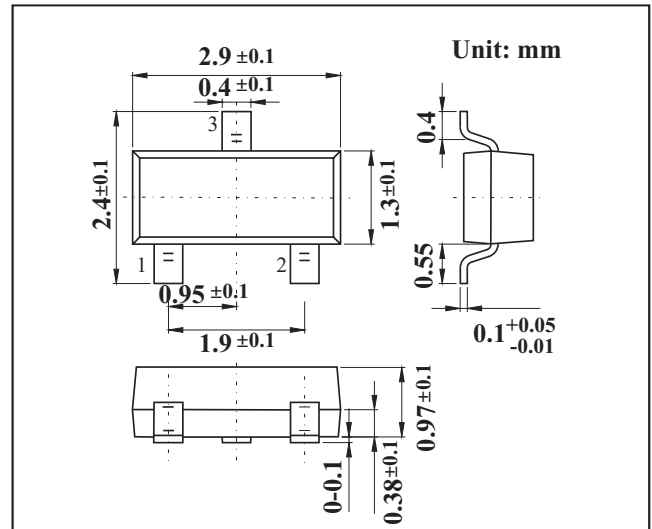
## SOT23 Small Signal Switching Diodes

### FEATURE

- Fast Switching Speed
- Surface Mount Package Ideally Suited for Automatic Insertion
- For General Purpose Switching Applications
- High Conductance

### MECHANICAL DATA

- Case: SOT-23 Small Outline Plastic Package
- Polarity: Color band denotes cathode end
- Mounting Position: Any



### MAXIMUM RATINGS AND CHARACTERISTICS

@ 25°C Ambient Temperature (unless otherwise noted)

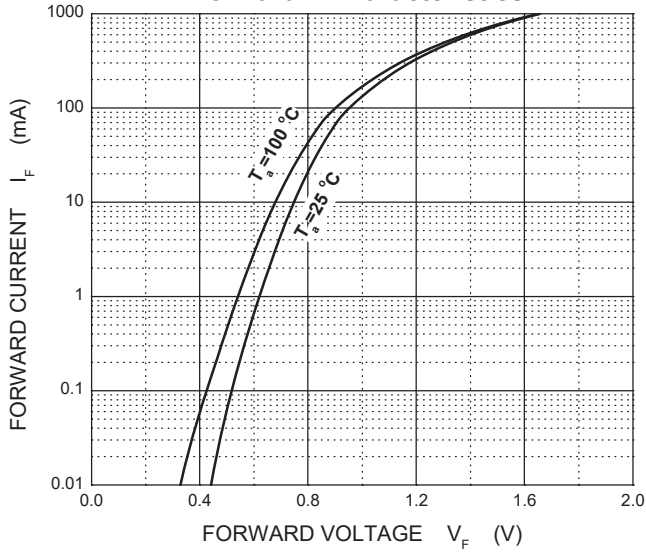
Parameter	Symbol	Limit	Unit
Repetitive peak reverse voltage	$V_{RRM}$	250	V
Working peak reverse voltage	$V_{RWM}$		
DC blocking voltage	$V_R$		
Forward continuous current	$I_{FM}$	400	mA
Average rectified output current	$I_O$	200	mA
Non-Repetitive Peak Forward Surge Current @t=8.3ms	$I_{FSM}$	2.5	A
Repetitive peak forward surge current	$I_{FRM}$	625	mA
Power dissipation	$P_D$	225	mW
Thermal resistance junction to ambient	$R_{\theta JA}$	555	°C/W
Junction temperature	$T_J$	150	°C
Storage temperature range	$T_{STG}$	-55~+150	°C

### Electrical Specification ( $T_A=25^\circ\text{C}$ unless otherwise specified)

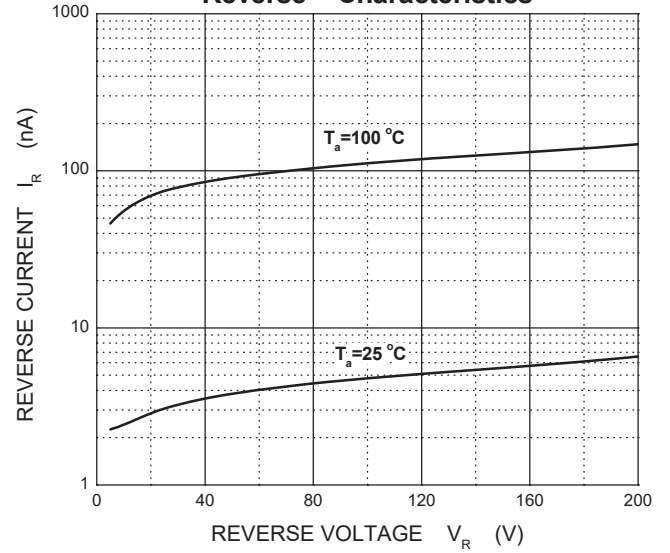
Parameter	Symbol	Test conditions	Min	Max	Unit
Reverse breakdown voltage	$V_{(BR)}$	$I_R=100\mu\text{A}$	250		V
Reverse voltage leakage current	$I_R$	$V_R=200\text{V}$		0.1	$\mu\text{A}$
Forward voltage	$V_F$	$I_F=100\text{mA}$ $I_F=200\text{mA}$		1000 1250	mV
Diode capacitance	$C_D$	$V_R=0\text{V}$ , $f=1\text{MHz}$		5	pF
Reverse recovery time	$t_{rr}$	$I_F=I_R=30\text{mA}$ , $I_{rr}=0.1 \times I_R$ , $R_L=100\ \Omega$		50	ns

## RATINGS AND CHARACTERISTIC CURVES

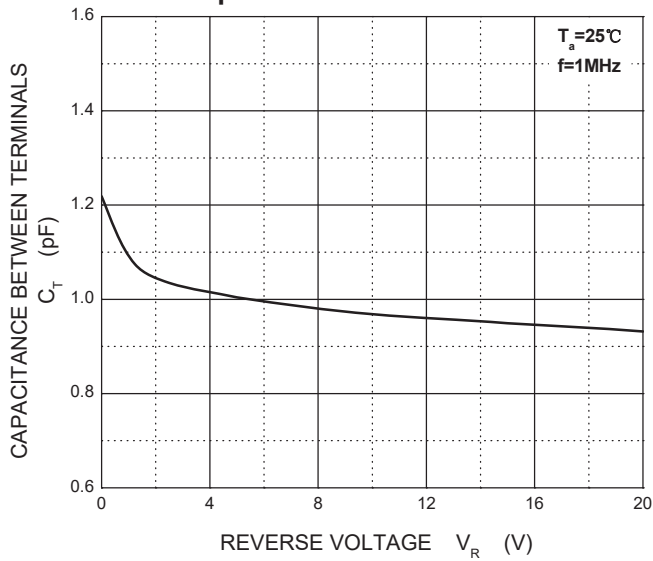
### Forward Characteristics



### Reverse Characteristics



### Capacitance Characteristics



### Power Derating Curve

